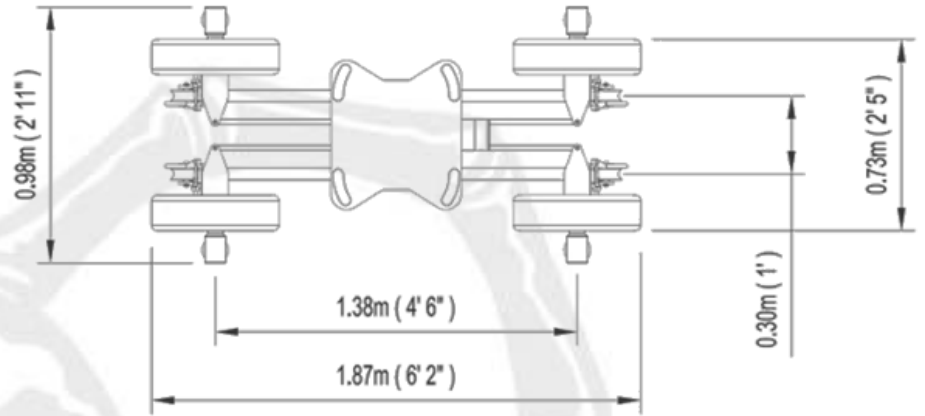
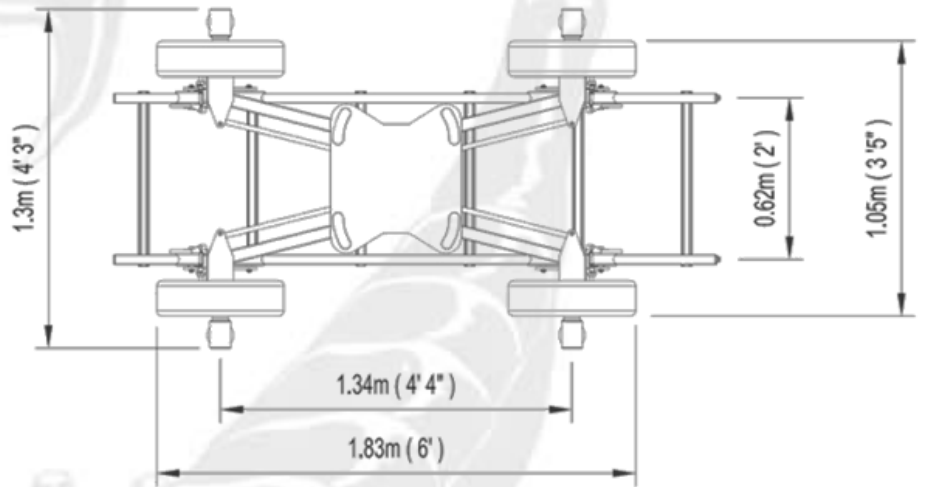


SMALLEST POSITION

(ONLY TO GO THROUGH A DOOR)



0.62M / 2' TRACK



1M / 3' 3'' TRACK

